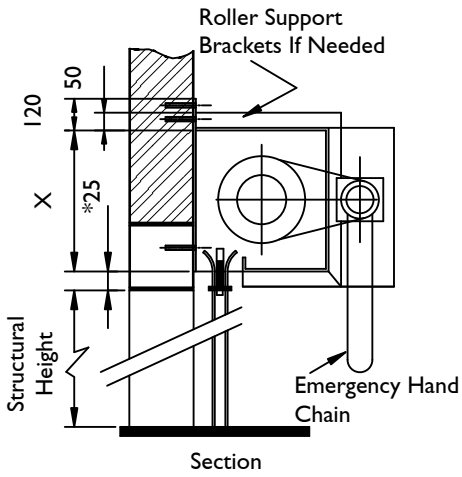
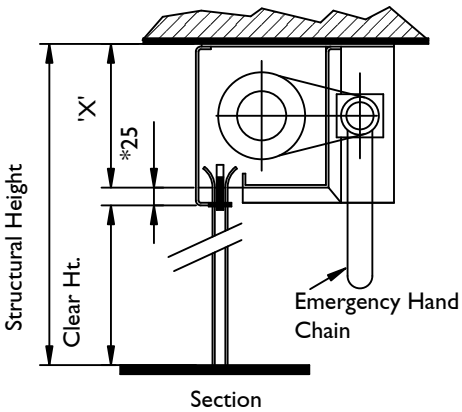


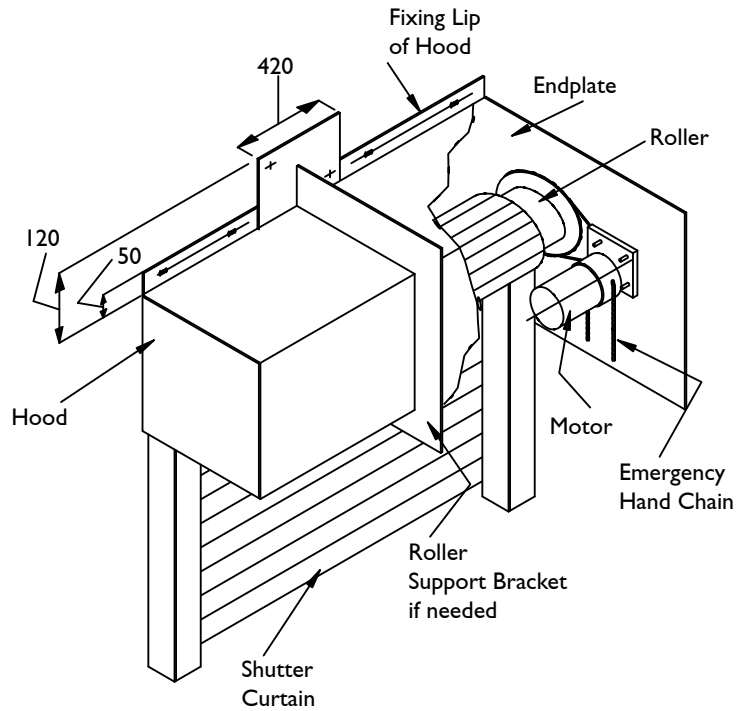
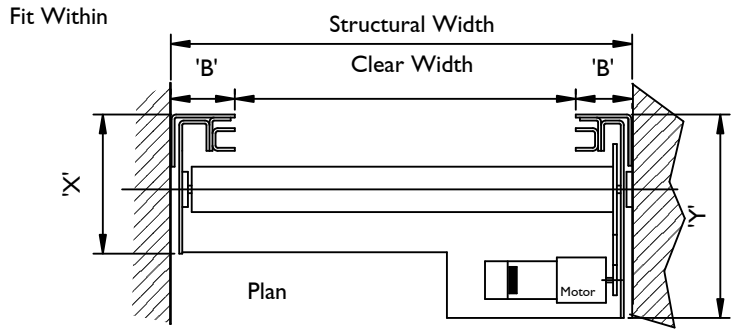
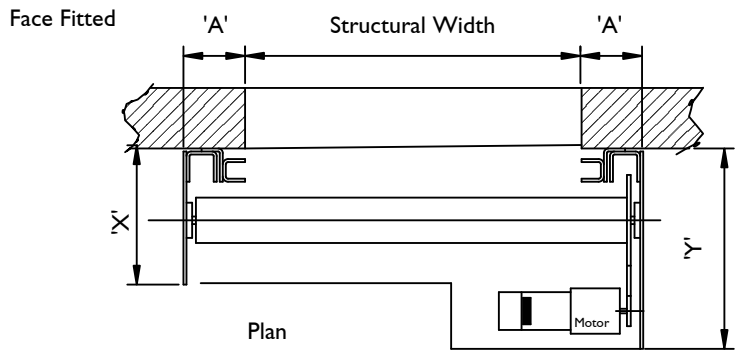
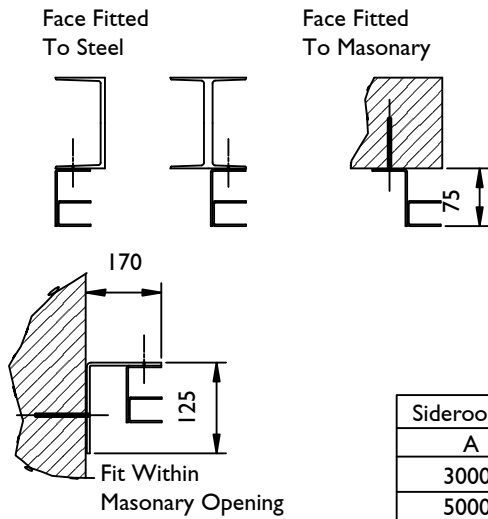
Door Weight Varies With Opening Size Depending On Lath/Barrel/Casing Requirements But Is Typically 45Kg/sq. metre



NB: Dim Marked * = 100mm When Roller Support Used



NB: Dim. Marked * = 100mm When Roller Support Used



Sideroom Requirements			
A	B		
3000 x 3000	153	170	
5000 x 5000	153	170	
7000 x 7000	153	170	

Headroom Requirements			
X	Y		
3000 x 3000	350	550	
5000 x 5000	400	600	
7000 x 7000	450	650	